

Dec. 27, 1932.

W. GUYOT

1,892,509

DESK SET

Filed Jan. 12, 1927

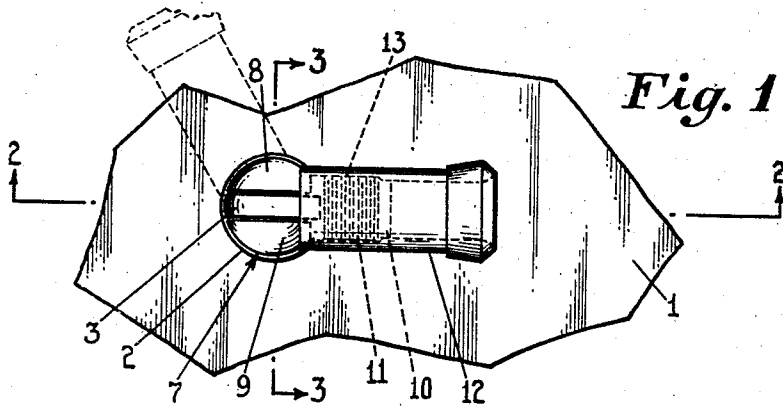


Fig. 1

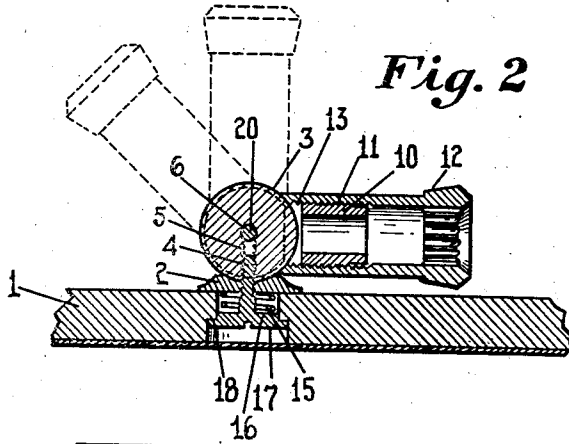


Fig. 2

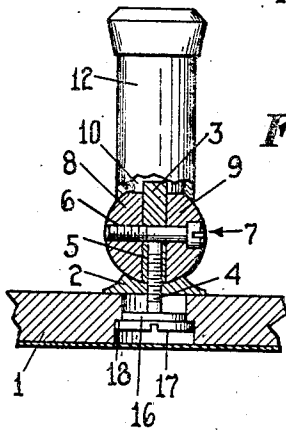


Fig. 4

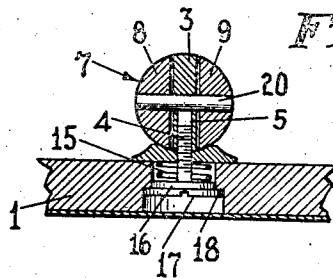


Fig. 3

INVENTOR
Walter Guyot
BY
Dodson & Roe
ATTORNEYS

UNITED STATES PATENT OFFICE

WALTER GUYOT, OF JANESVILLE, WISCONSIN, ASSIGNOR, BY MESNE ASSIGNMENTS, TO
PEN DESK SET COMPANY, A CORPORATION OF ILLINOIS

DESK SET

Application filed January 12, 1927. Serial No. 160,596.

My invention has for its object to provide a pivotal support for the pen receiving receptacle so that it may be swung through an arc of 180°, and has for its further object to provide means for mounting the pivotal support, so that if desired, it may be capable of a swiveling movement.

My means of accomplishing the foregoing object will be more readily understood by having reference to the accompanying drawing, which is hereunto annexed, in which

Fig. 1 is a top, or plan view of my improvement, a fragmentary portion of the base only being shown, as, obviously, it can be of any desired configuration;

Fig. 2 is a sectional view taken on the line 2—2 of Fig. 1 in the direction indicated by the arrows;

Fig. 3 is a section taken on the line 3—3 of Fig. 1 in the direction indicated by the arrows;

Fig. 4 is a view partly in section showing the pivotal support held stationary.

Similar reference numerals refer to similar parts throughout the entire description.

As shown in the drawing, I have provided a base 1 upon which I mount a pivotal support which is comprised of a washer 2 which is suitably secured to the base, and a flat, upwardly extending member 3 which is preferably circular in shape. A screw 4 is fitted to a threaded opening 5 in the upwardly extending member 3. The member 3 has a transverse aperture 6 formed therein to receive a pivot pin. On this member 3 is mounted a bifurcated member; as shown, it is a ball 7, the member 3 being fitted intermediate the bifurcations 8 and 9. This ball is provided with a neck, or stem 10 which has threads 11 cut thereon. A pivot pin 20 passes through the bifurcations 8 and 9 and intermediate the upwardly extending member 3, so that the two are pivotally connected.

Although I have described the ball as being bifurcated, it will be obvious to persons skilled in the art, that the construction may be reversed and the pivotal support may have the bifurcated arms, without deviating from the scope of my invention which is designed

to provide a pivotal support for the pen receiving portion.

The pen receiving sleeve 12 is formed of a cylindrical sleeve having internal threads 13 cut in one end thereof. These threads fit the threads 11 on the stem 10. The outer end of the sleeve is preferably flared, to facilitate the entry of the pen. By tightening the screw 4 so that its head 17 is drawn tightly against a shoulder 18 formed in the base 1, the pivotal support will be held firmly in position. If it is desired to provide for a swiveling movement of the pivotal support, then the screw 4 instead of being tight, as hereinbefore described, it is slightly loose, and I mount a coil spring 15 intermediate the shoulder 16 on the screw 4 and the bottom of the washer 2 of the pivotal support. This spring furnishes just enough tension to provide sufficient frictional engagement between the parts to hold the pivotal support in place, but permits it to freely rotate on the base.

Although I have described a specific form of construction for these parts, I do not desire to be understood as limiting myself to the specific form shown and described, which description is merely to disclose a concrete embodiment of the preferred form of construction, and I do not wish to be understood as limiting myself in any respect, except as such limitations may appear in the hereinafter contained claims.

Having thus described my invention, what I regard as new and desire to secure by Letters Patent of the United States is:

1. In a desk set, the combination with a base of a pen receiving sleeve, said sleeve being secured to a bifurcated ball, a mounting member having a bearing surface cooperating with said ball, an upwardly projecting member mounted on said base which fits intermediate said bifurcations, a pivot pin which pivotally secures said ball and upwardly projecting member together.

2. In a pen holding stand, the combination of a base, a pen holding receptacle having a bearing surface at one end, a separate mounting member mounted on said base and having a bearing surface cooperating with

said receptacle bearing surface, and spring means for holding the bearing surface of said receptacle pressed downwardly in frictional engagement against the bearing surface of said mounting member.

3. In a pen holding stand, the combination of a pen holding receptacle having a rounded bearing surface at one end, a mounting member having an upwardly facing and rounded bearing surface for cooperation therewith, and spring means for holding said receptacle bearing surface pressed downwardly in yieldable frictional engagement with said upwardly facing bearing surface.

4. In a pen holding stand, the combination of a base, a pen holding receptacle having a ball member at one end thereof, a mounting member mounted on said base and having an upwardly facing bearing surface for cooperation with said ball member, and spring means contained within said mounting member for holding said ball member pulled downwardly in frictional engagement with said upwardly facing bearing surface.

5. In a pen holding stand, the combination of a pen holding receptacle having a spherical bearing member at one end thereof, a mounting member comprising an upper bearing surface, and a spring pressed link pivotally connected with said spherical bearing member and arranged for holding said bearing member pulled downwardly against said upper bearing surface.

6. In a pen holding stand of the class described, the combination of a pen holding receptacle having a ball at one end thereof, a mounting member comprising a surface upon which said ball is adapted to seat, and a spring pressed link pivotally connected to said ball and passing down through said seating surface for holding said ball in frictional engagement therewith, said link being rotatable in said mounting member.

7. In a pen holding stand of the class described, the combination of a pen holding receptacle, a ball secured to one end thereof, said ball having a diametrical slot therein, a tubular mounting member having a surface at its upper end on which said ball is adapted to seat, said mounting member being adapted to be set into a suitable support, a link having its upper end extending into said slot and pivotally connected to said ball, the lower portion of said link passing down into said mounting member, and a spring in said mounting member arranged to exert a downward pressure on said link for holding said ball in frictional engagement with said seating surface.

8. In a pen holding stand of the class described, the combination of a pen holding receptacle, a ball secured to one end thereof, said ball having a diametrical slot therein, a tubular mounting member having a surface at its upper end on which said ball is adapted

to seat, said mounting member being adapted for mounting in a suitable support, a link having its upper end extending into said slot and pivotally connected to said ball, the lower portion of said link passing down into said mounting member, a thrusting shoulder on the lower portion of said link, and a spring in said mounting member bearing on said shoulder and transmitting a downward pressure to said link for holding said ball in frictional engagement with said seating surface, said link being axially rotatable within said mounting member in the horizontal swinging movement of said pen holding receptacle.

9. In a pen holding stand of the class described, the combination of a pen holding receptacle having a ball at one end thereof, a mounting member comprising a spherical surface upon which said ball is adapted to adjustably seat, and a link pivotally connected to said ball and passing down through said seating surface for holding said ball in frictional engagement therewith, said link being rotatable in said mounting member.

10. In a pen holding stand of the class described, the combination of a pen holding receptacle, a ball secured to one end thereof, said ball having a diametrical slot therein, a tubular mounting member having a spherical surface at its upper end on which said ball is adapted to adjustably seat, said mounting member being adapted to be set into a suitable support, a link having its upper end extending into said slot and pivotally connected to said ball, the lower portion of said link passing down into said support member, and means for holding said link in said support for holding said ball in frictional engagement with said seating surface.

11. In a desk set, the combination of a base, a pen receptacle, a spherical joint member detachably carried by said receptacle, a supporting part on said base on which said spherical part separately seats and moves, another member mounted on said base and secured to said spherical joint member, a pivotal connection between said other member and said spherical joint member, and spring means acting on said other member to hold said spherical joint member in tensioned frictional engagement with said base supporting part and providing tensioned rotational movement of said receptacle upon the base.

12. In a desk set for fountain pens, a base, a pen-receiving receptacle and inter-connecting means between the receptacle and the base which includes a member associated with the receptacle and a member associated with the base, and connector means holding one of said members pressed downwardly in frictional engagement with the other member to rotatably support the receptacle.

13. In a desk set for fountain pens, a base, a pen-receiving receptacle and inter-connect-

70

75

80

85

90

95

100

105

110

115

120

125

130

ing means between the receptacle and the base which includes a ball member on said receptacle and a socket member on said base, and means for holding said ball pressed downwardly in frictional engagement with said socket to revolvably support said receptacle.

14. In a desk set for fountain pens, a base, a pen-receiving receptacle and means for swingingly mounting said receptacle upon said base which includes a spherical seat surface on said base and a cooperative spherical surface on said receptacle, and a device for holding said receptacle surface pressed downwardly in yielding frictional engagement with said base surface.

15. In a desk set for fountain pens, a base, a pen-receiving receptacle and inter-connecting means between the base and receptacle permitting swinging movement of the receptacle, which comprises a seating element on the base, an element connected to the receptacle and engaging said base seating element, and a connector member associated with said receptacle-connected element for holding the latter pressed downwardly in swingable frictional engagement with said base element.

16. In a desk set for fountain pens, a base, a pen-receiving receptacle and inter-connecting means between the base and receptacle permitting swinging movement of the receptacle which comprises a seating element on the base, an element connected to the receptacle and engaging said base seating element, and a spring connector associated with said receptacle-connected element for holding the latter pressed downwardly in frictional engagement with said base element for rotary movement of the receptacle under tension.

17. In a pen holding stand, the combination of a pen holding receptacle having a bearing surface at one end thereof, a stationary mounting member having a cooperative bearing surface, and a spring pressed link pivotally connected to said pen holding receptacle and extending into said stationary mounting member for frictionally holding said bearing surfaces in engagement.

18. In a pen holding stand, the combination of a pen holding receptacle having a slotted ball member at one end thereof, a mounting member having an upwardly facing bearing surface for cooperation with said ball member, and spring means contained within said mounting member for holding said ball member pulled downwardly in frictional engagement with said upwardly facing bearing surface, said means comprising a link having a head received within the slot of the ball member and dimensioned to substantially form a continuation of the spherical surface of the ball member, and a spring connected to the link and tensioned between the same and the mounting member.

19. In a desk set, a base, a receptacle for receiving a writing instrument, means for mounting said receptacle on said base which includes a member on said receptacle, a member rotatably mounted on said base, a pivoted connection between said two members, and a single spring means tensioning the rotation of said base-mounted member and the relative movement between said two named pivotally connected members.

20. Desk set structure which comprises in combination a receptacle for holding the writing instrument, a stationary mounting member, means connecting said receptacle with said mounting member affording one swivel joint permitting movement of said receptacle in a horizontal plane and a separate swivel joint permitting movement of said receptacle in a vertical plane, and a single spring means for holding said receptacle in different adjusted positions in said planes.

WALTER GUYOT.

70

75

80

85

90

95

100

105

110

115

120

125

130