

Dec. 14, 1948.

J. W. WELSH

2,456,602

FOUNTAIN PEN

Filed Jan. 9, 1946

Fig. 1.

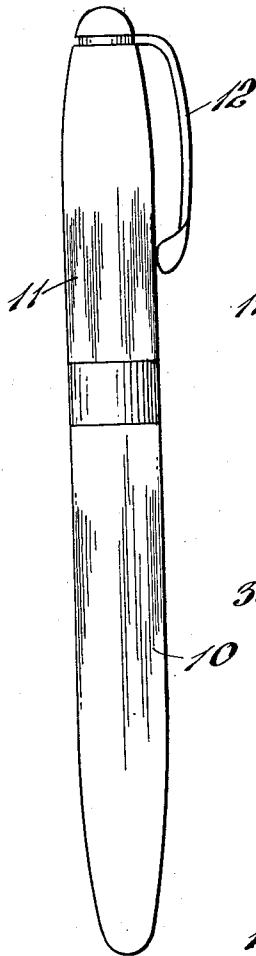


Fig. 2.

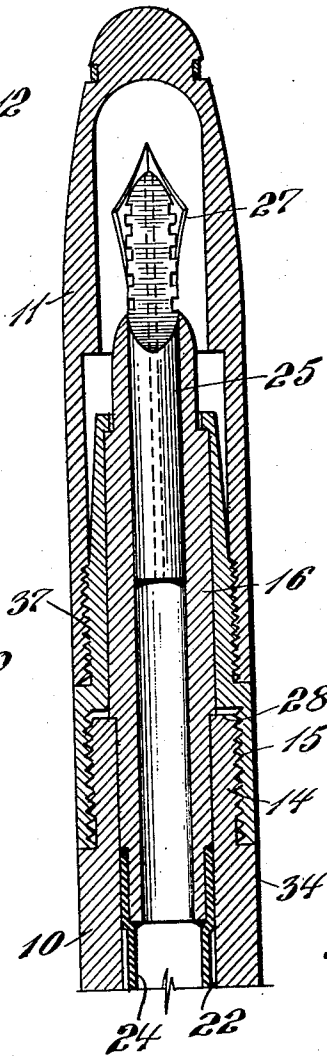


Fig. 3.

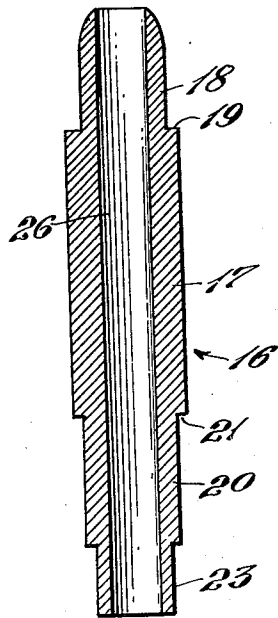
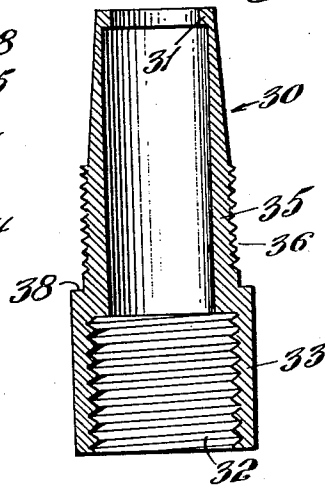


Fig. 4.



INVENTOR.
James W. Welsh
BY *Barlow & Barlow*
ATTORNEYS.

UNITED STATES PATENT OFFICE

2,456,602

FOUNTAIN PEN

James W. Welsh, Providence, R. I., assignor to
Welsh Manufacturing Company, a corporation
of Rhode Island

Application January 9, 1946, Serial No. 640,045

7 Claims. (Cl. 120-50)

1

This invention relates to a fountain pen, more particularly to the securing of the pen holding member in the barrel thereof.

In the usual fountain pen the pen holding member is provided with threads integral there-
with which receive the cap of the fountain pen. The material is usually non-metallic and difficulty sometimes occurs in this threaded joint.

One of the objects of this invention is to provide means for holding the pen holding member in position and at the same time improving the threaded joint between the cap and pen holding member.

Another object of this invention is to provide a metal band with the metal parts thereof functioning to provide one part of the threaded surface which exists between the pen holding member and the cap and the pen holding member and the barrel.

Another object of this invention is to provide a thimble which may be readily positioned and which will contain the threads of parts to be engaged for greater strength construction.

With these and other objects in view, the invention consists of certain novel features of construction, as will be more fully described and particularly pointed out in the appended claims.

In the accompanying drawings:

Fig. 1 is an elevation of a fountain pen;

Fig. 2 is a sectional view showing fragmentally the upper portion of the pen and illustrating on an enlarged scale the invention;

Fig. 3 is a sectional view of the pen holding member;

Fig. 4 is a sectional view of the thimble which engages the pen holding member for positioning the same.

In proceeding with this invention, I provide a pen holding member which is so shouldered that there will be an abutment surface to engage the upper end of the barrel and an abutment surface to be engaged by a thimble which extends there-
over to draw the pen holding member into position in the barrel and securely retains it there. The thimble is formed of metal to provide a better wearing surface for the threads and a strengthening of the barrel end.

With reference to the drawing, 10 designates the barrel of a fountain pen, 11 the cap thereof which has retaining clip 12 thereon. The barrel 10 has an open upper end, the end portion of the walls of which is reduced as at 14 and provided with a thread 15. The pen holding member 16, shown by itself in Fig. 3, is provided with section 17 intermediate its ends with a reduced

2

upper end portion 18 forming a shoulder 19 and reduced lower portion 20 forming a shoulder 21. Portion 20 is of a size to fit the interior 22 of the barrel and is further reduced as at 23 for reception of the collapsible section 24 as shown in Fig. 2. An ink controlling member 25 is mounted in the upper end of the central bore 26 of this member and this member also assists in retaining a pen 27.

The member 16 is fitted into the upper end of the barrel, as shown in Fig. 2, so that its shoulder 21 engages the end 28 of the barrel. A ferrule 30 of metal has a lip 31 to engage the shoulder 19 and is screwed onto threads 15 so as to draw the member 16 into the barrel and hold it securely in position. The lower portion of the ferrule 33 is at its outer surface substantially flush with the outer surface 34 of the barrel so as to continue the diameter thereof and provide a band of metal. In order to retain the cap 11 in position this ferrule is reduced in diameter as at 35 and provided with threads 36 for receiving the threads 37 on the lower end of the cap 11 which may be screwed onto these threads and against the shoulder 38 formed by this change in diameter. This ferrule strengthens the entire assembly and protects it in case of abuse.

The threads 32 and threads 36 on this ferrule, which may be made of metal or some more wear-resisting material than the plastic or rubber of the remainder of the pen, may be right-hand threads 36 and left-hand threads 32 so there will be no danger of removing the ferrule when the cap is removed. Further the threads 32 may be a closer fit and thus one of considerably more friction so that there will be no danger of removing the ferrule from position when removing the cap on the pen.

I claim:

1. A fountain pen comprising a barrel member having an open top and a threaded external surface, a pen holding member having an external shoulder and a ferrule having a lip to engage said shoulder and internally threaded at one end to engage said external threads and hold said members assembled.

2. A fountain pen as set forth in claim 1 where-
in said pen holding member is provided with a section larger than the interior of said barrel terminating in surfaces at right angles to its length to provide shoulders with said ferrule engaging one shoulder and drawing the other shoulder against the open top of said barrel.

3. A fountain pen as set forth in claim 1 where-
in the threaded top of said barrel is reduced in

3

size from the diameter next adjacent in an amount such that said ferrule will be flush with the said next adjacent diameter of the barrel when in position thereon.

4. A fountain pen as set forth in claim 1 where- in threads are presented on the outer surface of said ferrule to receive a cap.

5. A fountain pen as set forth in claim 1 where- in said ferrule is rigid metal.

6. A fountain pen as set forth in claim 1 where- in threads are presented on the outer surface of said ferrule to receive a cap and said threaded portion is of a reduced diameter from the adja- cent diameter.

7. A fountain pen as set forth in claim 1 where- 15

4

in threads are presented on the outer surface of said ferrule to receive a cap and said threaded portion is of a reduced diameter from the adja- cent diameter in an amount substantially the thickness of the cap to be received thereon.

JAMES W. WELSH.

REFERENCES CITED

The following references are of record in the file of this patent:

UNITED STATES PATENTS

1,046,821	MacDonald	Dec. 10, 1912
2,393,251	Juelss	Jan. 22, 1946