

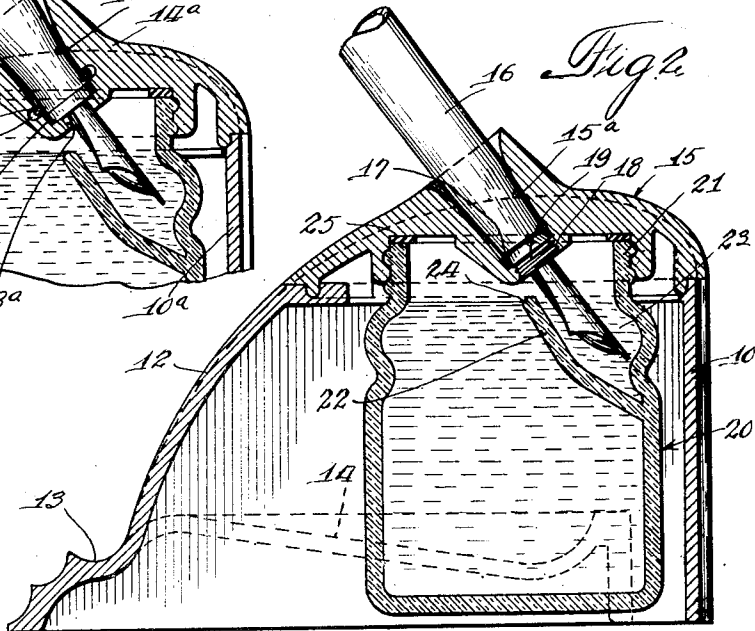
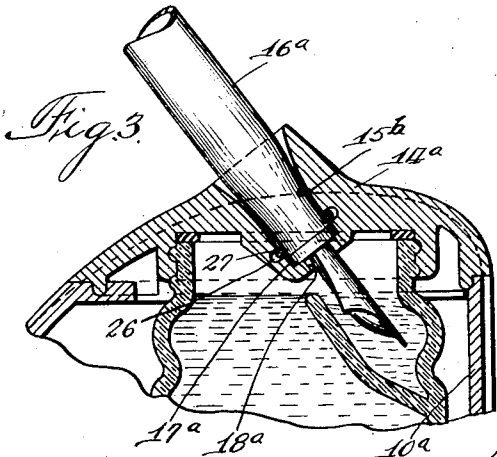
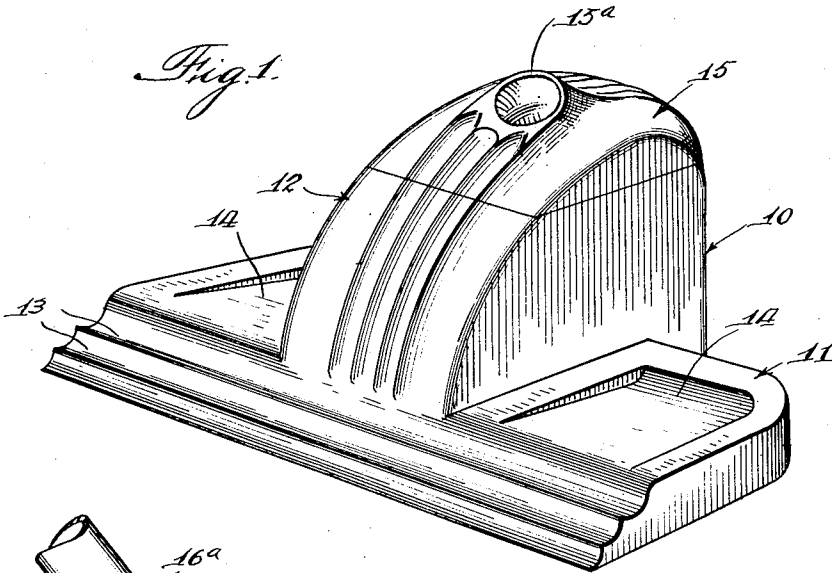
July 26, 1938.

N. D. FISH

2,124,771

RESERVOIR DESK STAND

Filed Aug. 2, 1937



Inventor:
Ned D. Fish.
By Amos, Thies, Olson, Macklenburg & Little:

UNITED STATES PATENT OFFICE

2,124,771

RESERVOIR DESK STAND

Ned D. Fish, Fort Madison, Iowa, assignor to
W. A. Sheaffer Pen Company, Fort Madison,
Iowa, a corporation of Delaware

Application August 2, 1937, Serial No. 156,839

10 Claims. (Cl. 120-69)

This invention relates to a reservoir desk stand and has special reference to a device for holding a penholder in a position for use, the pen nib thereof being immersed in writing fluid of the desk stand.

More particularly this invention relates to a casing having an opening with a removable cover thereon, the cover having an apertured receptacle portion for receiving one end of the penholder, and a bottle for writing fluid having a well adjacent an open end thereon, the bottle being secured to the cover within the case and the pen nib carried by the holder extending through the aperture of the receptacle portion into the well.

The present invention contemplates the use of an ordinary commercial bottle of writing fluid held in a position within a casing so that an auxiliary well within the bottle, preferably at the upper end thereof, is accessible for receiving a pen nib extending from the penholder, the penholder being in turn received in a receptacle portion of a cover for enclosing an open end of the casing.

The above-referred-to commercial bottle is preferably a combined bottle and well in which the well is shaped and proportioned and so positioned within the bottle that it is especially adapted to supply writing fluid to the pen nib dipped or immersed therein, the well being small and narrow, so that a small amount of ink will fill it to a depth sufficient to submerge the pen nib of the average pen when the pen nib is inserted therein.

More particularly the commercial bottle, which has been found to be desirable for use in the present invention, has a neck provided with a transverse wall forming an integral well arranged to be filled by tilting the bottle. The bottle is detachably secured to the cover for enclosing the opening in the casing and depends therefrom within the casing. The neck of the bottle is preferably threaded to engage the threads of a recess below the receptacle portion for the penholder, the axis of the receptacle portion being angularly disposed in the direction of the well to hold the pen in such angular position as is convenient to be grasped by the hand in writing.

When it is desired to fill the well with writing fluid from the main reservoir of the bottle, the cover of the casing is removed therefrom carrying therewith the bottle and the assembly is tilted to permit the writing fluid from the bottle to pass into the well whereafter it is set upright in its position in the casing. The receptacle

portion is provided with a shoulder on which one end of the penholder seats to seal the aperture thereof, there being releasable locking means in the receptacle portion for positively holding the pen holder against the shoulder to prevent displacement of the writing fluid from the bottle during the tilting movement.

One of the objects of this invention is to provide a device of the character above described in which the penholder is always in position for immediate use in writing and the pen nib is held during non-use thereof immersed in a body of writing fluid so that the pen is always in condition for immediate use.

Another object of this invention is to provide a device of the type above noted in which the usual commercial bottle of writing fluid may be employed to provide writing fluid for a pen.

Other objects and advantages will hereafter be more particularly pointed out and for a more complete understanding of the characteristic features of this invention, reference may now be had to the following description when considered together with the accompanying drawing, in which latter,

Figure 1 is a perspective view of a reservoir desk stand embodying the features of this invention;

Fig. 2 is a central vertical sectional view of the construction shown in Fig. 1; and

Fig. 3 is a fragmentary sectional view similar to Fig. 2 showing a modified form of releasable locking means for the penholder.

Referring now to the drawing, and more particularly to Figs. 1 and 2 thereof, the construction embodying the features of this invention is shown as comprising a casing 10 having an elongated base portion 11 and a centrally enlarged upstanding portion 12. The casing may be formed preferably of a plastic or a composition material as a unitary member in one piece and may be provided along the bottom edge thereof with a groove 13 for receiving other forms of writing instruments. Also the upper surface of the elongated base may be provided with recesses 14 for receiving clips, pins and the like.

The casing 10 may be formed in any desirable shape and it may be given any desired ornamentation, the present illustration merely being directed to a satisfactory commercial embodiment. Also, instead of plastic or composition material, the casing may be formed of metal, marble or like materials consistent with the use to which the article is to be employed.

The casing 10 has an open upper end in the upstanding portion 12 thereof, which is suitably enclosed by a cover 15 preferably formed of the same material as that of the casing and provided with ornamentation conforming likewise thereto. The cover is provided with a receptacle portion 15a for receiving one end of a penholder 16, the penholder seating against a shoulder 17 formed by an aperture 18 of reduced diameter communicating with the opening in the receptacle portion. In the instance of the present application, the aperture 18 is threaded to receive a threaded reduced extension 19 of the penholder 16. The penholder is inserted into the receptacle portion and is threadedly engaged with the aperture 18 to provide a releasable locking means for positively holding the penholder 16 against the shoulder 17 to seal the aperture.

The axis of the receptacle portion 15a is preferably angularly disposed and the angle of inclination is preferably such that the penholder is held in a position which may readily be grasped by the hand for convenience in writing, that is, in the same position as one would ordinarily hold a pen for use in writing, so that subsequent adjustment for use is unnecessary.

A bottle 20 is provided within the casing and may be of any desired size and shape. In the present instance, the bottle 20 is provided with a relatively large neck 21, across which extends a preferably integral wall that cooperates in forming a well 23 within the upper portion of the bottle. The wall 22 is sloped or inclined to leave a shoulder 24, which prevents the last remaining writing fluid in an almost empty bottle from running back into the bottle as it might otherwise do when the bottle is tipped in the act of filling the well. The shoulder 24, or in other words the top edge of wall 22, is preferably located a short distance below a plane of the top of the bottle in order to permit writing fluid from the reservoir to fill the well when a cap engages the neck of the bottle, or when the bottle is screwed into position on the cover 15 of the casing.

The neck of bottle 21 is preferably externally threaded to engage an internally threaded recess below the receptacle portion 15a communicating with the aperture 18 thereof. A washer or gasket 25 may be provided within the recess against which the top edge of the bottle abuts to seal the liquid within the bottle and prevent leakage through the threads thereof.

The transverse wall 22, as above stated, provides a well on one side of the bottle near the upper end thereof. The axis of the receptacle portion is angularly disposed in the direction of the well to hold the penholder in an angular position available for immediate and convenient use, the pen nib carried by the holder extending through the aperture 18 of the receptacle portion into the well. The relation of the well on one side of the bottle and the disposition of the pen at an angle provides a simple assembly having a minimum of parts.

Referring now more particularly to Fig. 3 of the drawing, the clip 14a for enclosing the opening of the casing 10a is provided with a receptacle portion 15b for receiving one end of a penholder 16a. In this embodiment, the aperture 18a adjacent the shoulder 17a is not threadedly engaged by the shoulder of the penholder 16a but is held against the shoulder 17a of the receptacle portion by means of split spring ring 26, the split spring ring in turn being held in a groove 27.

When the penholder 16a is inserted in the re-

ceptacle portion 15a, the end of the pen forces the split spring ring 26 to a diameter sufficient to enable the shoulder of the penholder to pass therethrough, whereafter the spring ring contracts and seats on the upper end of the shoulder of the penholder to hold the lower end of the shoulder of the penholder against the shoulder 17a of the receptacle portion. Thus, the provision of the split spring ring 26 provides a releasable locking means in the receptacle portion for positively holding the penholder against the shoulder and against accidental displacement therefrom, unless forced by the user when using the pen. The releasable locking means thus shown is merely illustrative of one of a great number of locking members which may be employed for this purpose.

While but two embodiments of this invention are herein shown and described, it is to be understood that various modifications thereof may be apparent to those skilled in the art without departing from the spirit and scope of this invention and, therefore, the same is only to be limited by the scope of the prior art and the appended claims.

I claim:

1. In a device of the character described, in combination, a casing having an opening, a removable cover for said opening, said cover having an apertured receptacle portion for receiving one end of a penholder, and a bottle for writing fluid having a well adjacent an open end thereof, said bottle being secured to said cover within said casing and the pen nib carried by said holder extending through the aperture of said receptacle portion into said well.

2. In a device of the character described, in combination, a casing having an upper end opening, a removable cover for said opening, said cover having an apertured receptacle portion for receiving one end of a penholder, and a bottle for writing fluid having an auxiliary well adjacent the top communicating with a main reservoir therebelow, said bottle depending from and being secured to said cover within said casing and the pen nib carried by said holder extending through the aperture of said receptacle portion into said well.

3. In a device of the character described, in combination, a casing having an upper end opening, a removable cover for said opening, said cover having an apertured receptacle portion for receiving one end of a penholder, and a bottle for writing fluid having a neck provided with a transverse wall forming an integral well arranged to be filled by tilting the bottle, said bottle depending from and being secured to said cover within said casing and the pen nib carried by said holder extending through the aperture of said receptacle portion into said well.

4. In a device of the character described, in combination, a casing having an opening, a removable cover for said opening, said cover having an apertured receptacle portion for receiving one end of a penholder, a bottle for writing fluid having a well adjacent an open end thereof, said bottle being secured to said cover within said casing and the pen nib carried by said holder extending through the aperture of said receptacle portion into said well, and means in said receptacle for locking said penholder therein to seal said aperture thereof.

5. In a device of the character described, in combination, a casing having an upper end open-

ing, a removable cover for said opening, said cover having an apertured receptacle portion for receiving one end of a penholder, and a bottle for writing fluid having a well on one side of an open upper end thereof, said bottle depending from and being secured to said cover within said casing, the axis of said receptacle portion being angularly disposed in the direction of said well to hold said penholder in such angular position and the pen nib carried by said holder extending through the aperture of said receptacle portion into said well.

6. In a device of the character described, in combination, a casing having an opening, a removable cover for said opening, said cover having an apertured receptacle portion for receiving one end of a penholder, a bottle for writing fluid having a well in the neck thereof and connecting means externally of said neck for engagement with connecting means of said cover to secure said bottle detachably on said cover within said casing, the pen nib carried by said holder extending through the aperture of said receptacle portion into said well.

7. In a device of the character described, in combination, a casing having an opening, a removable cover for said opening, said cover having an apertured receptacle portion for receiving one end of a penholder and an internally threaded recess below said receptacle portion communicating with the aperture thereof, and a bottle for writing fluid having a well in the neck thereof, the neck of said bottle being externally threaded for engagement with the threaded recess of said cover within said casing and the pen nib carried by said holder extending through the aperture of said receptacle portion into said well.

8. In a device of the character described, in combination, a casing having an opening, a removable cover for said opening, said cover having an apertured receptacle portion for receiving one end of a penholder and a recess below said

receptacle portion communicating with the aperture thereof, a bottle for writing fluid having a well on one side in the neck thereof, the neck of said bottle being removably secured within the recess of said cover within said casing, the axis of said receptacle portion being angularly disposed in the direction of said well to hold said penholder in such angular position and the pen nib carried by said holder extending through the aperture of said receptacle portion into said well.

9. In a device of the character described, in combination, a casing having an opening, a removable cover for said opening, said cover having an apertured receptacle portion for receiving a pen holder, a shoulder in said receptacle portion on which one end of said penholder seats to seal the aperture thereof, a bottle for writing fluid having a well adjacent an open end thereof arranged to be filled by tilting the bottle, said bottle being removably secured to said cover within said casing and the pen nib carried by said holder extending through the aperture of said receptacle portion into said well.

10. In a device of the character described, in combination, a casing having an opening, a removable cover for said opening, said cover having an apertured receptacle portion for receiving a penholder, a shoulder in said receptacle portion on which one end of said penholder seats to seal the aperture thereof, releasable locking means in said receptacle portion for positively holding said penholder against said shoulder, a bottle for writing fluid having a well adjacent an open end thereof arranged to be filled by tilting the bottle, said bottle being removably secured to said cover within said casing and the pen nib carried by said holder extending through the aperture of said receptacle portion into said well.

NED D. FISH. 40